

1

2

3

4

5

6

7

8

A

A

B

B

C

C

D

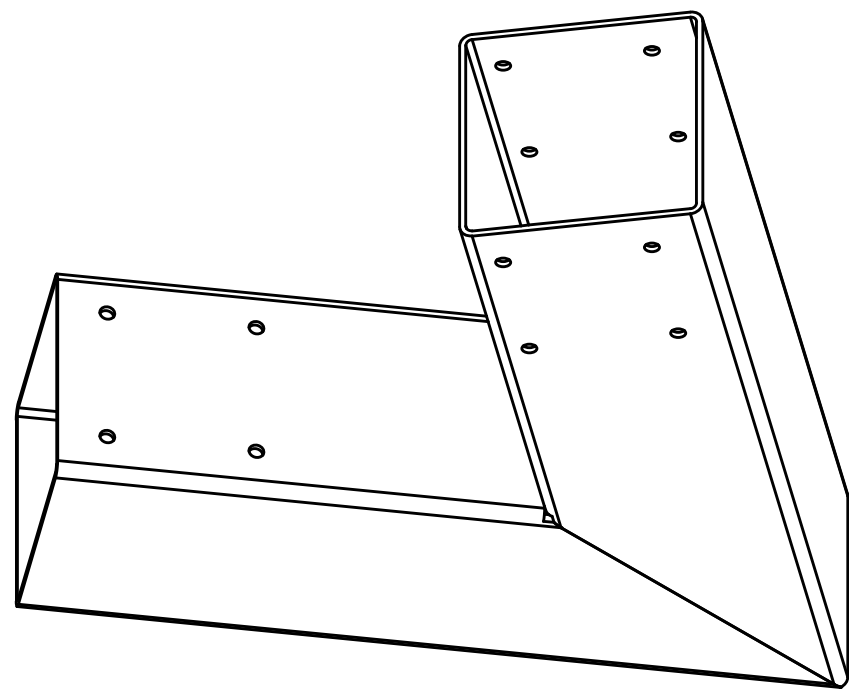
D

E

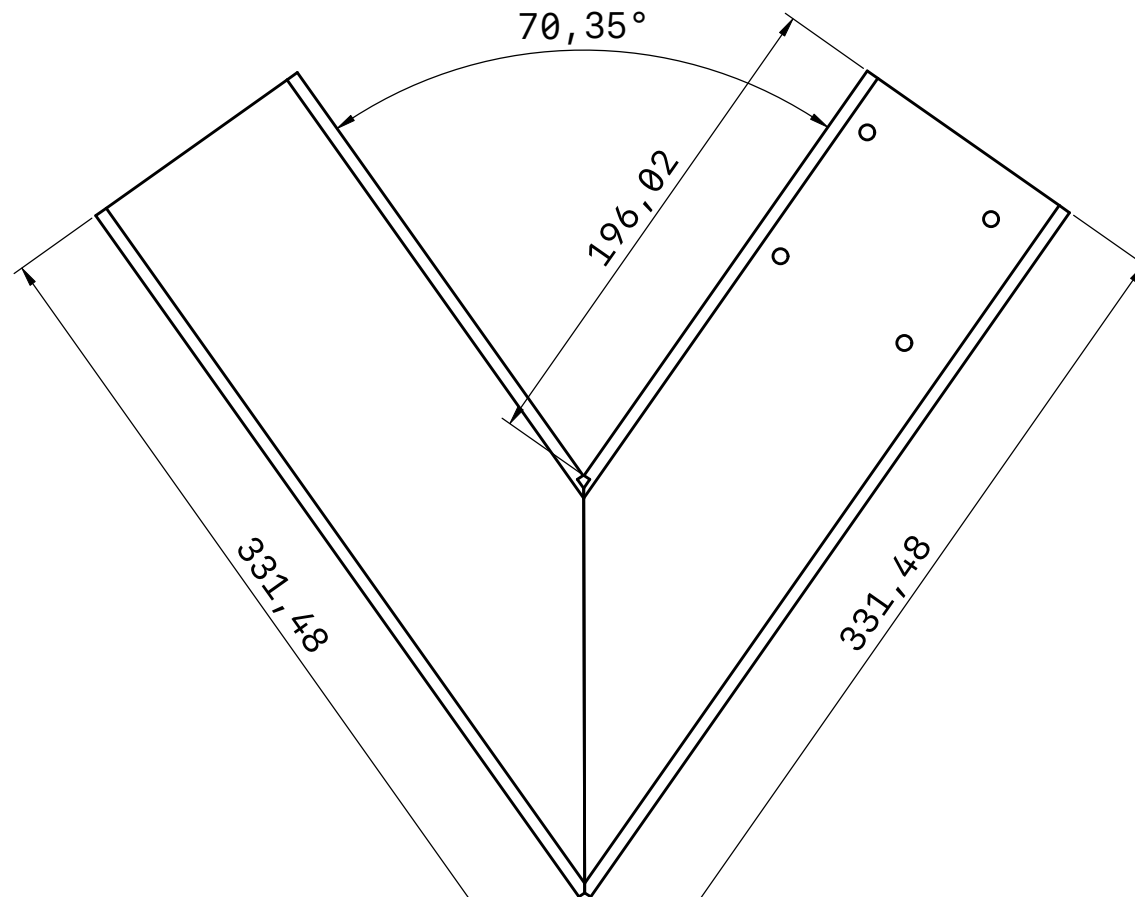
E

F

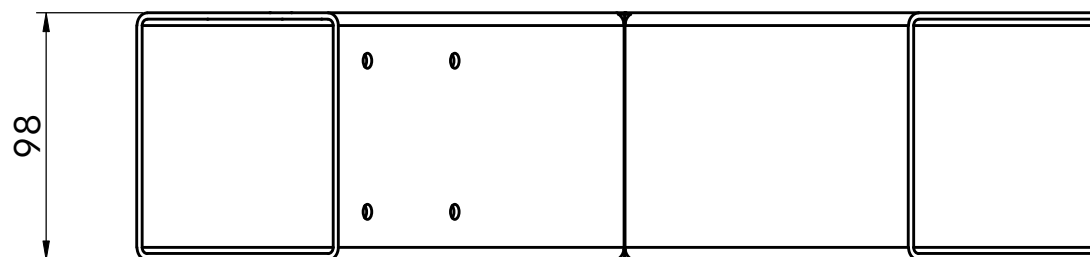
F



SCALE 1:3



SCALE 1:3



SCALE 1:3

TITLE p100_2v_sw		
UNITS mm	PROJ. ANG. 	SIZE A3
SCALE 1:5	LAST UPDATED 12/11/25	SHEET 1/1

1

2

3

4

5

6

7

8